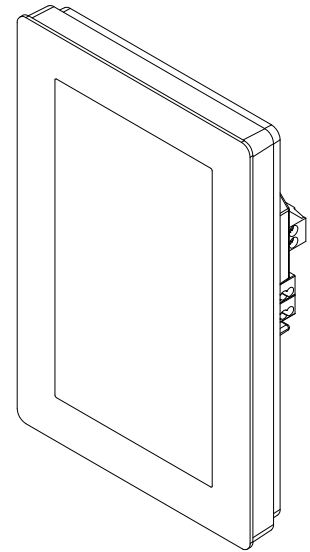


### MAIN FEATURES

4,3" capacitive touch panel for visualisation and control of KNX installations, featuring a IPS display, IP connectivity for remote control from smartphones and tablets, and door phone function. Available in white or black GLASS finish, can be installed in portrait or landscape mode.

- Function highlights:
  - Up to 96 control functions, organized in 12 configurable pages
  - User editable favorites page
  - Configurable background images
  - Weekly time schedules (up to 96 channels, 4 programs / channel)
  - Alarm monitoring (up to 96 alarms) with event log
  - Touch gestures: up to 5 quick actions (4 directions + multitouch), even with the display off (power saving mode)
  - Internal scene controller
  - Two independent thermostats
  - Video door phone function (\*), with full duplex audio and echo cancellation
  - IP camera monitoring (\*)
- Remote control from smartphones and tablets via mobile apps
- Four multi-function inputs, individually configurable as binary or temperature probe inputs
- Real-time clock (RTC) with backup battery
- Integrated KNX bus coupling unit
- Ultra-low power consumption



(\*) Please check compatibility

### TECHNICAL SPECIFICATIONS

<b>Mechanical</b>	Form factor	Wall mounted unit	
	Enclosure material	ABS FR V0	
	Degree of protection	IP20	
	Weight	160 g / 210 g (excluding / including mounting chassis)	
	Magnetic fixing	4x gold-plated N50 neodymium magnets (pull: 4x 1.2 kg)	
	Mounting box	Standard square or rounded flush mounting box (not included) Iddero part numbers: E-C466 / E-C456	
<b>Environment</b>	Storage temperature	-20..70 °C	
	Operating temperature	0..55 °C	
	Relative humidity	10..90% (non-condensing)	
<b>External power supply</b>	Supply voltage	12-30 VDC Do not use 29 VDC from KNX bus as external power supply	
	Power consumption	Max. 5 W Typ. 165 mA (12 VDC), 85 mA (24 VDC), 75 mA (30 VDC)	
	Connection	Pluggable terminal block, 3.5 mm pitch	
	Recommended wiring	Conductor section 0.5 mm <sup>2</sup>	
	Power supply unit	Not included	
<b>User interface</b>	Display	Type	Widescreen 4,3" TFT display, IPS technology
		Resolution	272 x 480 pixels
		Colour	24 bpp (16.7 million colours)
		Contrast ratio	800:1 (Typ.)
		Backlight	Low power white LED backlight, with energy saving mode
		Luminance	Typ. 450 cd/m <sup>2</sup> , software controlled
		Viewing angle	Typ. 80° (all directions)
		Touch screen	Projected capacitive multitouch
	Cover glass	0.7mm tempered high visibility glass, chemically strengthened	
	Audio	Speakers	1W + 1W stereo loudspeakers
Microphone		Integrated microphone	

# Datasheet – IDDERO VERSO INDOOR

## 4,3" KNX Capacitive Touch Panel with IP Connectivity and Door Phone Function

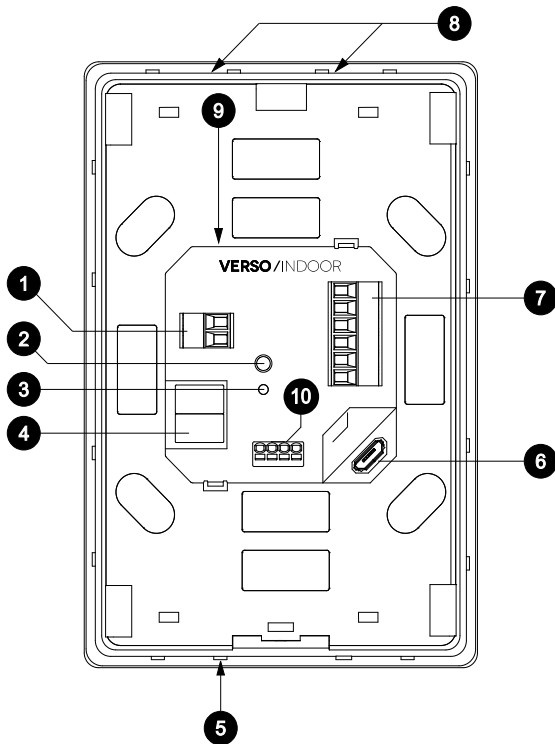


240612-01

<b>User interface</b>	Other	Buttons	KNX programming button (recessed)	
		Indicators	KNX programming LED Buzzer	
<b>Communications</b>	KNX	Type	KNX TP1 bus	
		Connection	Standard KNX TP1 connector	
		Consumption	Typ. 4 mA @ 29 VDC	
	Ethernet	Type	Ethernet 10/100 BASE-T interface	
		Connection	Pluggable terminal block, 2.5 mm pitch	
	Rec. wiring	Twisted pair, 0.2 mm <sup>2</sup> section (CAT5), solid wires		
<b>Expansion port</b>	USB	Type	USB 2.0	
		Connection	Micro-USB type B connector	
		Output power	150 mA max.	
<b>Inputs</b>	Number of inputs		4 independent inputs	
	Type		Individually configurable as binary (push button and switch/sensor modes) or temperature probe inputs	
	Connection		Pluggable terminal block, 3.5 mm pitch	
	Rec. wiring		Conductor section 0.2 to 1.5 mm <sup>2</sup>	
	Binary inputs	Contact type	Dry voltage contact between the two input terminals	
		Detection time	Typical 50 ms (switch/sensor mode)	
		Pulse width	Minimum 10 ms (push button mode)	
Cable length		Maximum recommended length: 50 m		
Temp. probe		External temperature probe, ref. TS-N1PB / TS-GLASS		
<b>Real time clock</b>	Drift		+/-20 ppm @ 25°C	
	Battery backup		CR1220 3V, 35 mAh	
<b>Compliance</b>	Directives		Directive 2014/30/EC Directive 2011/65/EC Directive 2012/19/EC	
	Standards		EN 50491-5-1:2010 EN 50491-5-2:2010 EN 50581:2012 EN 50419:2006	

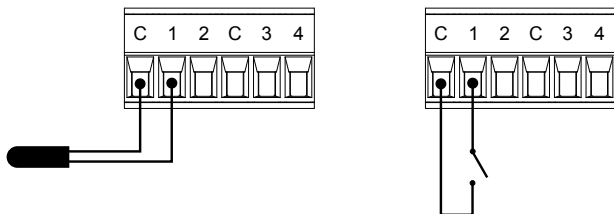
Specifications subject to change without notice

### CONNECTORS AND OTHER ELEMENTS



1. Power supply connector (12-30 VDC)
2. KNX programming button
3. KNX programming LED
4. KNX TP1 bus connector
5. Microphone
6. USB connector
7. Multifunction inputs connector
8. Loudspeakers
9. Replaceable RTC backup battery
10. Ethernet connector

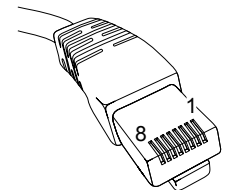
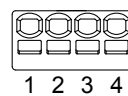
#### Input connection



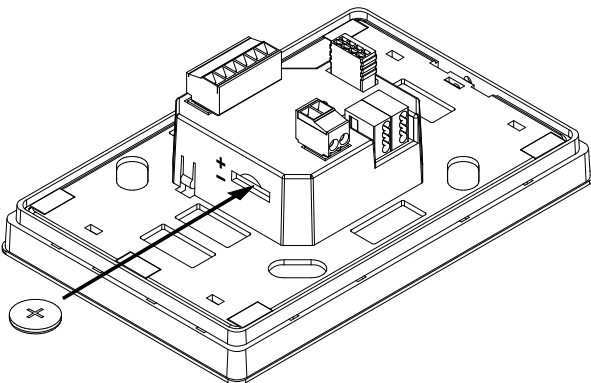
Temperature probe refs.:  
Iddero TS-N1PB / TS-GLASS

#### Ethernet wiring

VERSO INDOOR	Description	RJ45
1	TX-	2
2	TX+	1
3	RX-	6
4	RX+	3

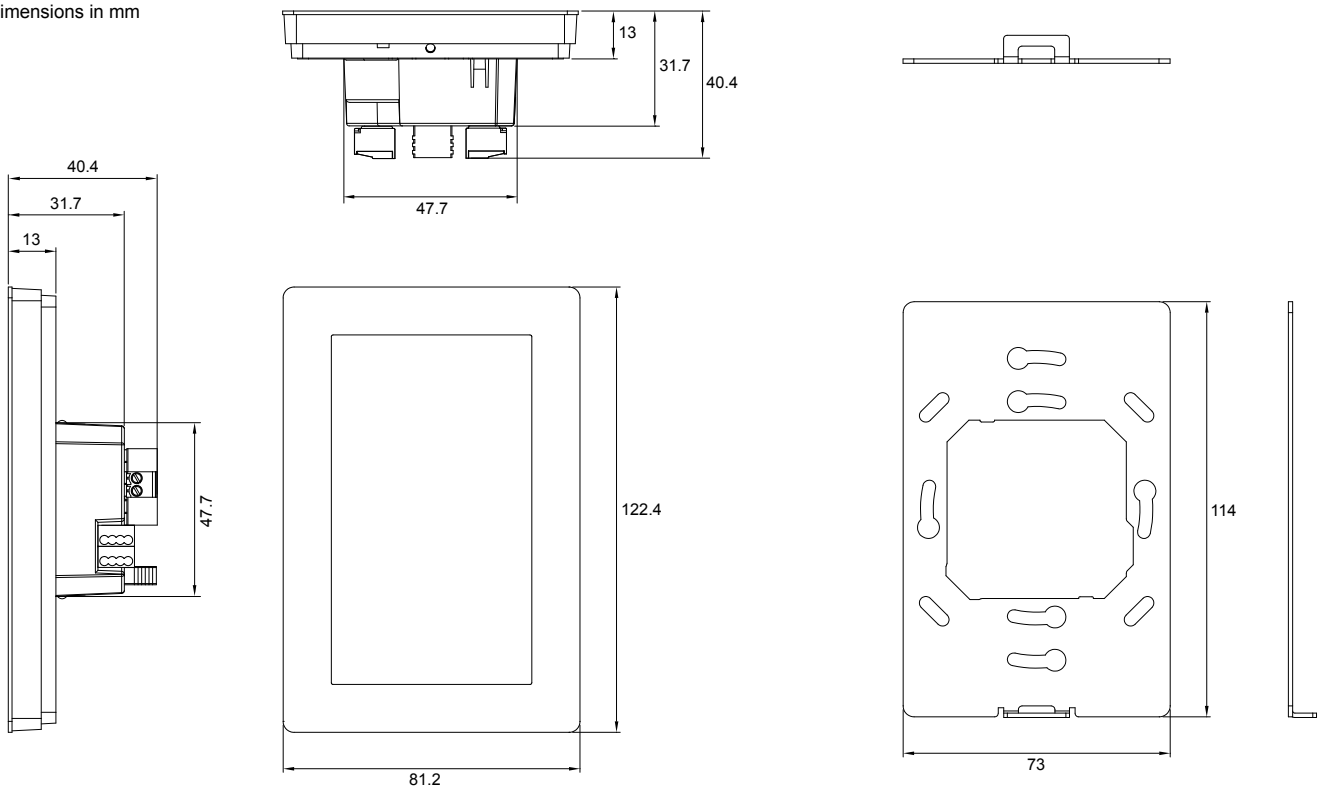


### RTC battery replacement



### DIMENSIONS

All dimensions in mm

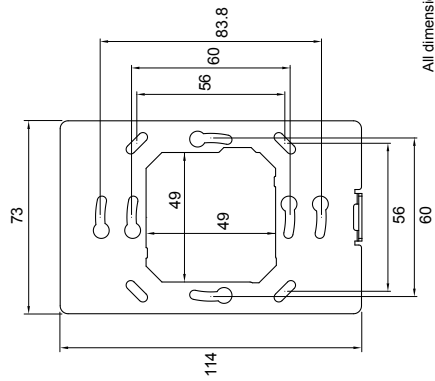
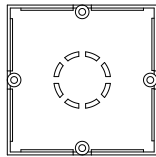
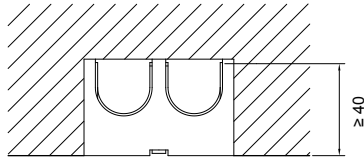


**IMPORTANT:** Only qualified electricians should install, service, or manipulate this equipment. Existing regulations for the prevention of accidents must be observed, as well as any national or local codes and regulations and standard safety precautions.



This product is an electronic device containing batteries, and must not be disposed of in household waste. At the end of its life cycle, the product must be taken to an electric and electronic waste collection facility. Before that, batteries must be removed from the device and taken to a battery collection point.

# VERSO / INDOOR



All dimensions in mm  
Alle Maße in mm  
Todas las dimensiones en mm  
Toutes les dimensions en mm

**EN**

## INSTALLATION NOTES:

1. Select installation height to allow for direct line of sight
2. Do not expose to direct sun light

**DE**

## INSTALLATIONSANMERKUNGEN:

1. Wählen Sie eine Installationshöhe, die eine direkte Blicklinie ermöglicht
2. Installieren Sie dieses Produkt nicht im direkten Sonnenlicht

**ES**

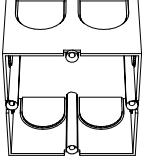
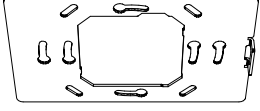
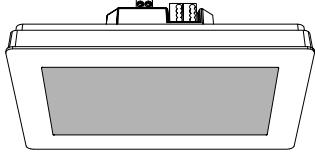
## NOTAS DE INSTALACIÓN:

1. Seleccionar la altura de instalación de forma que permita línea de visión directa
2. No instalar en lugares donde la luz solar incida directamente

**FR**

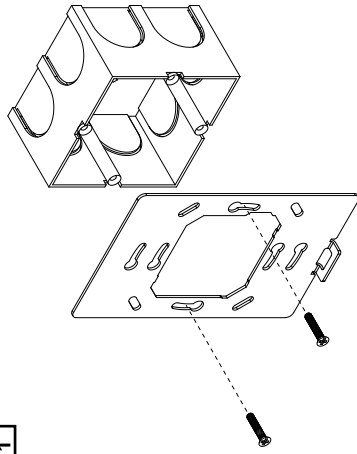
## NOTES D'INSTALLATION:

1. Sélectionnez la hauteur d'installation de façon qu'elle permette ligne de visée directe
2. Ne pas exposer directement au soleil

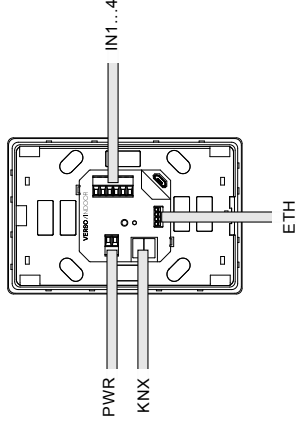


Art.-Nr.  
E-C466 / E-C456

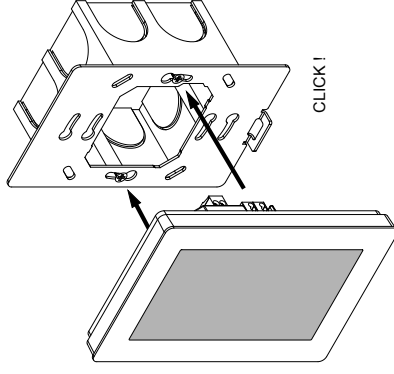
**1**



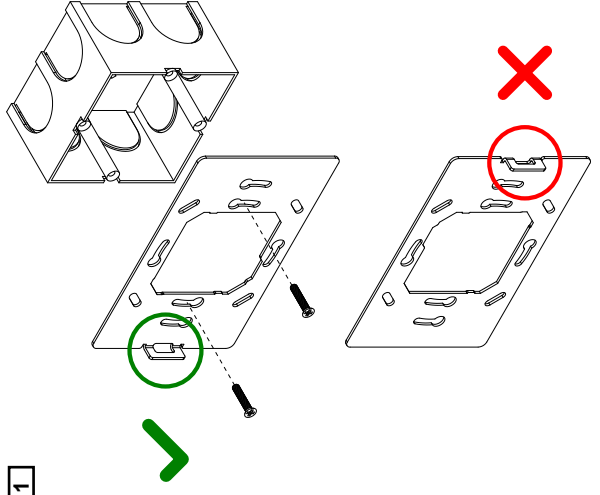
**2**



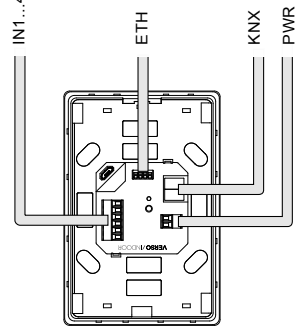
**3**



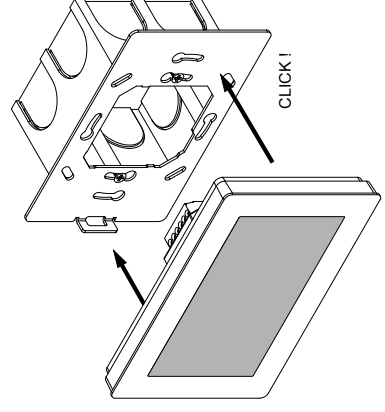
**1**



**2**



**3**



ETH

