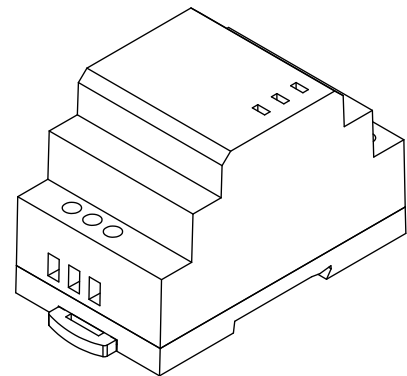


## FEATURES

The PS-K640v2 is a compact 640 mA KNX bus power supply with integrated choke which provides the safety extra-low voltage required for KNX installations. A secondary (unchoked) 30 VDC power output is available for devices that need an auxiliary power supply in addition to the power provided via the KNX bus.

- KNX bus power supply with integrated choke
- Ancillary 30 VDC power output (unchoked)
- Safety extra-low voltage (SELV)
- 640 mA rated output current
- 230 VAC input, 50/60 Hz
- Short-circuit, overload, and over voltage protection
- KNX bus RESET button
- LED indicators for normal operation, bus reset, and overload
- 35mm DIN-rail mounting
- Ultra-compact form factor (3 DIN rail units)

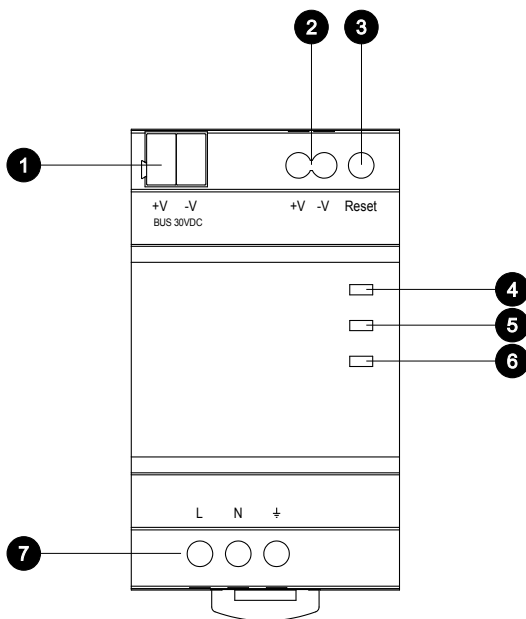


## TECHNICAL SPECIFICATIONS

<b>Mechanical</b>	Form factor	35 mm DIN-rail mount enclosure (EN 50022)		
	Enclosure material	Thermoplastic UL94 V-0		
	Dimensions	52.5 x 90 x 58.2 mm		
	Weight	195 g		
<b>Environment</b>	Storage temperature	-40..85 °C		
	Operating temperature	-30..50 °C -30..70 °C @ 60% load		
	Relative humidity	Max. 95% (non-condensing)		
<b>Input</b>	Supply voltage	180-264 VAC, 47-63 Hz		
	Power consumption	Max. 0.25A @ 230 VAC		
	Connection	Screw terminals		
	Recommended wiring	Conductor section 0.5 to 4 mm <sup>2</sup>		
<b>Output</b>	KNX bus output	Voltage	30 VDC SELV (choked)	
		Connection	Standard KNX TP1 bus connector	
	Ancillary output (aux)	Voltage	30 VDC SELV (unchoked)	
		Connection	Screw terminals	
		Rec. wiring	Conductor section 0.5 to 4 mm <sup>2</sup>	
	Rated current (I <sub>MAX</sub> )	I <sub>BUS</sub> + I <sub>AUX</sub> ≤ 640 mA		
	Rated power	19.2 W		
	AC failure backup time	200 ms at full load		
	Overload protection	200% rated output power		
Over voltage protection	33 VDC			
<b>Control and indicators</b>	Buttons	KNX bus RESET button		
	LED indicators	ON (green): Normal operation RESET (red): RESET button pressed I > I <sub>MAX</sub> (red): Overload / short circuit		
<b>Compliance</b>	Safety standards	EN61558-1, EN61558-2-16		
	EMC emissions	EN50491-5-2 EN55022 CLASS B		
	EMC immunity	EN61000-4-2, 3, 4, 5, 6, 11		

Unless otherwise stated, all parameters are measured at 230 VAC input, rated output load, 25°C ambient temperature, and relative humidity < 75%. Specifications subject to change without notice.

## ELEMENTS



1. KNX bus connector
2. Ancillary 30 VDC output
3. RESET button
4. ON LED indicator
5. RESET LED indicator
6. Overload / short-circuit LED indicator
7. External (mains) power supply

## IMPORTANT SECURITY ADVICE

- This device is designed exclusively for use in indoor environments; it should be installed on a 35mm DIN rail inside an electrical cabinet or electrical distribution box
- Make sure that there is adequate ventilation in the installation location to avoid overheating
- Disconnect mains power during installation
- Once installed, the device should not be accessible from outside
- Do not open the device! Faulty or defective units must be returned to the manufacturer for repair or replacement



**IMPORTANT:** Only qualified electricians should install, service, or manipulate this equipment. Existing regulations for the prevention of accidents must be observed, as well as any national or local codes and regulations and standard safety precautions.