

Datasheet – DW-TS-N1P

Temperature probe



20200514-02

DESCRIPTION

NTC-type aerial temperature probe for Iddero touch panels and Iddero Home Server.

The DW-TS-N1P temperature probe allows measurement of ambient temperature of the surrounding air, for example for HVAC regulation within a room.

It is recommended to install the probe in a location away from sources of heat or cold that could introduce errors in temperature measurements.

Ordering references:

DW-TS-N1PA	2.54mm connector	For: HC1i-KNX, HC2-KNX, HC2L-KNX
DW-TS-N1PB	Without connector	For: HC3-KNX, HC3L-KNX, Iddero Verso / VERSO+IP, Iddero Home Server

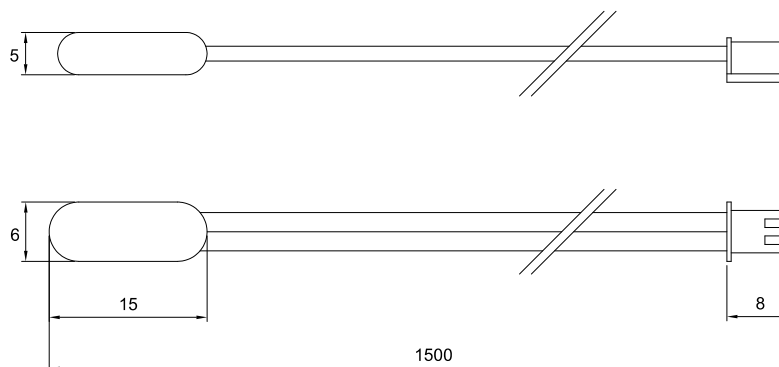


TECHNICAL SPECIFICATIONS

Mechanical	Form factor		Aerial temperature probe
	Probe / cable material		TPE (thermoplastic elastomer)
	Probe-cable protection		IP67
	Dimensions		Please see dimension diagram
	Weight		13 g
Connection	Cable	Type	2-wire, conductor section 0.3 mm ²
		Length	1,5 m
		Max length	30 m
	Connector (DW-TS-N1PA)		Two-way female connector, 2.54 mm pitch, with retention slot
Measurement	Measurement range		-30..90 °C
	Accuracy		±0.3 °C @ 25 °C

Specifications subject to change without notice

DIMENSIONS



All dimensions in mm