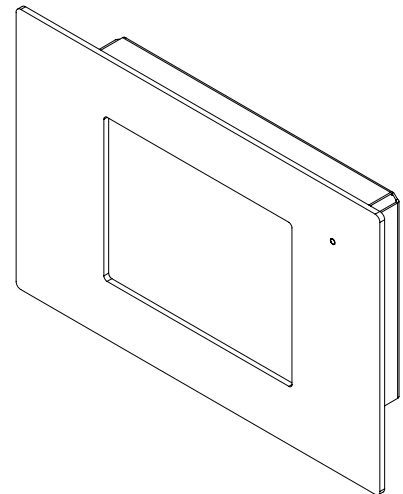


FEATURES

Control unit for KNX-based home and building automation installations, featuring a 5.7” colour LCD touch screen with integrated web server.

- 5.7” colour LCD STN display
- Thermostat function, with onboard temperature sensor
- Real-time clock with backup battery
- Integrated KNX bus coupling unit
- Functionality highlights:
 - Simple, user-friendly navigation through floorplans and zones
 - Control and monitoring of any KNX device
 - HVAC control
 - Scene controller
 - Weekly time schedules
 - Technical alarm monitoring with event log
 - Presence simulation with day and night schedules
 - Logic functions (logic gates, comparators, timers, etc.)
 - Integrated web server allows access from any PC, PDA, or smart phone
 - GSM remote control and event notification (requires GSM expansion module)
- Robust design – fanless, no moving parts
- Ultra-low power consumption, with energy saving mode
- Interchangeable front frames, available in multiple finishes



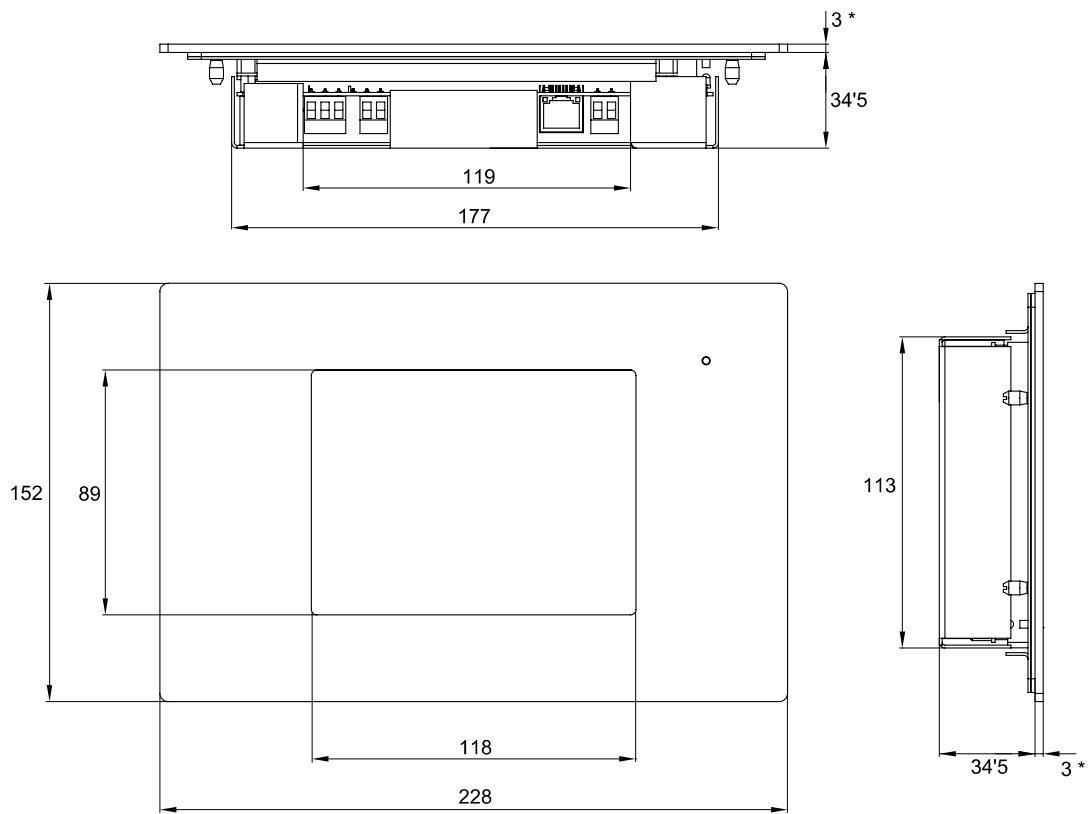
TECHNICAL SPECIFICATIONS

Mechanical	Form factor		In-wall, flush mounted unit
	Dimensions		228 x 152 x 37.5-38.5 mm
	Weight		510 g (excluding frame)
	Mounting box		Wall mount-box, ref. E-C557 Dimensions: 200 x 130 x 60 mm
Environment	Storage temperature		-20..70 °C
	Operating temperature		0..50 °C
	Relative humidity		10..90% (non-condensing)
Power supply	Supply voltage		Nominal supply voltage 12 VDC
	Power consumption		1.1 W typical, 5.5 W maximum
	Connection		Pluggable terminal block, 5.08 mm pitch
	Recommended wiring		Conductor section 1.5 mm ²
	Power supply unit		15 W PSU included, DIN-rail mounted. Width: 25 mm Input voltage 85-264 VAC @ 50-60 Hz
User interface	Display	Type	5.7” LCD STN display
		Resolution	320 x 240 pixels
		Colour	12 bpp (4096 colours)
		Backlight	CCFL backlight, with energy saving mode
		Luminance	160 cd/m ² , software controlled (10..100%)
		Viewing angle	90 x 80° (H x V)
		Touch screen	4-wire resistive touch screen, continuous resolution
	Misc.	Indicators	3-colour status led Buzzer
Communications	Ethernet	Type	Ethernet 10BASE-T interface
		Connection	RJ45 modular connector
		Rec. wiring	Twisted pair, 0.5 mm ² section (CAT5)
	KNX	Type	KNX TP1 bus
		Connection	Pluggable terminal block, 5.08 mm pitch
		Rec. wiring	Standard KNX TP1 cable

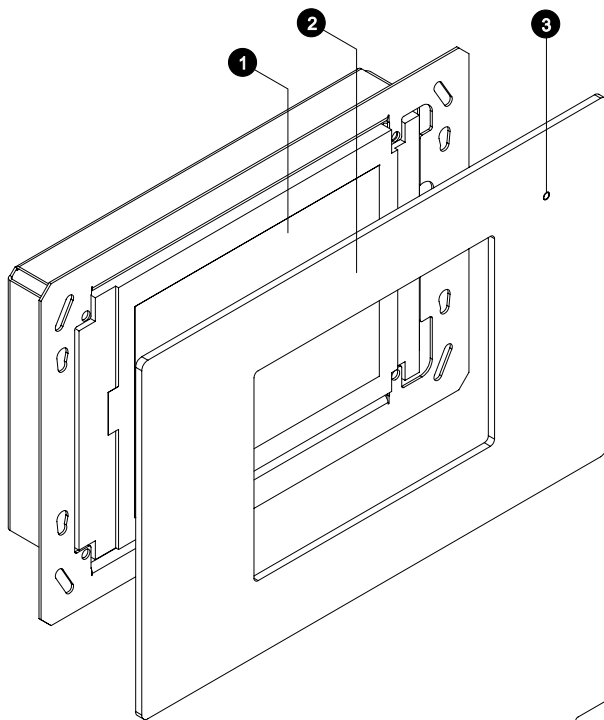
Communications	Expansion	Type	Communications protocol over RS-485 bus
		Connection	Pluggable terminal block, 5.08 mm pitch
		Rec. wiring	Twisted pair, 0.5 mm ² section (CAT5)
Compliance	Directives	Directive 93/68/EC Directives 2004/108/EC Directives 2002/95/EC and 2002/96/EC	
	Standards	EN 61000-6-1 (EMC: Electromagnetic immunity) EN 61000-6-3 (EMC: Electromagnetic emissions) EN 50090-2-2 (Home and building electronic systems. General technical requirements)	

Specifications subject to change without notice.

DIMENSIONS AND ELEMENT DESCRIPTIONS

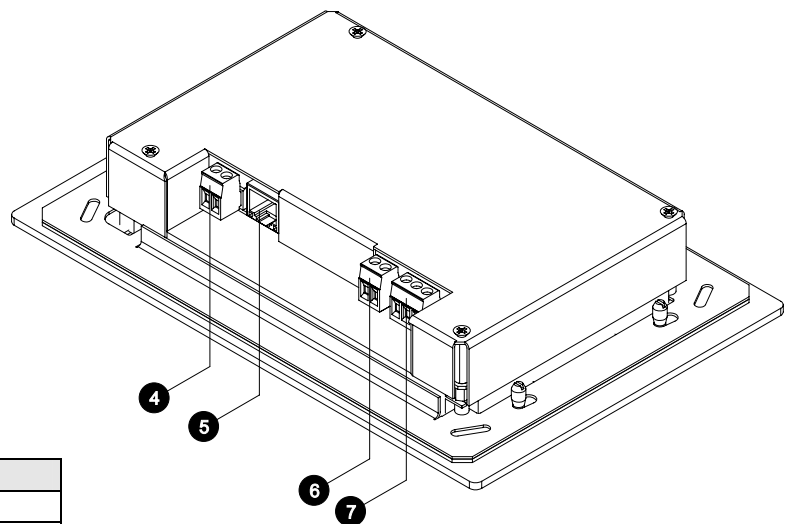


All dimensions in mm.
 (*) 4 mm for white crystal frame



Main elements:

1. LCD touch screen
2. Front frame
3. LED status indicator
4. Power supply connector
5. Ethernet connector
6. KNX TP1 bus connector
7. Expansion connector (RS-485)



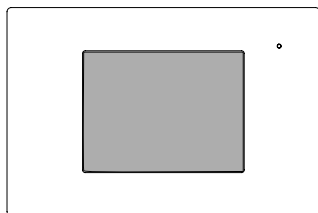
Power supply connector (12 VDC)		
	Pin	Description
	1	+12 VDC
	2	Power supply return

KNX TP1 bus connector		
	Pin	Description
	1	KNX bus (-)
	2	KNX bus (+)

Expansion connector (RS-485)		
	Pin	Description
	1	DATA+
	2	DATA-
	3	Signal ground

IMPORTANT: Only qualified electricians should install, service, or manipulate this equipment. Existing regulations for the prevention of accidents must be observed, as well as any national or local codes and regulations and standard safety precautions.

HC1-KNX



ES NOTAS DE INSTALACIÓN:

1. Seleccionar la altura de instalación de forma que permita línea de visión directa
2. No instalar en lugares donde la luz solar incida directamente
3. Preste atención a las instrucciones para el montaje del marco embellecedor. Realice esta operación con cuidado para evitar dañar la superficie de la pantalla táctil.

EN INSTALLATION NOTES:

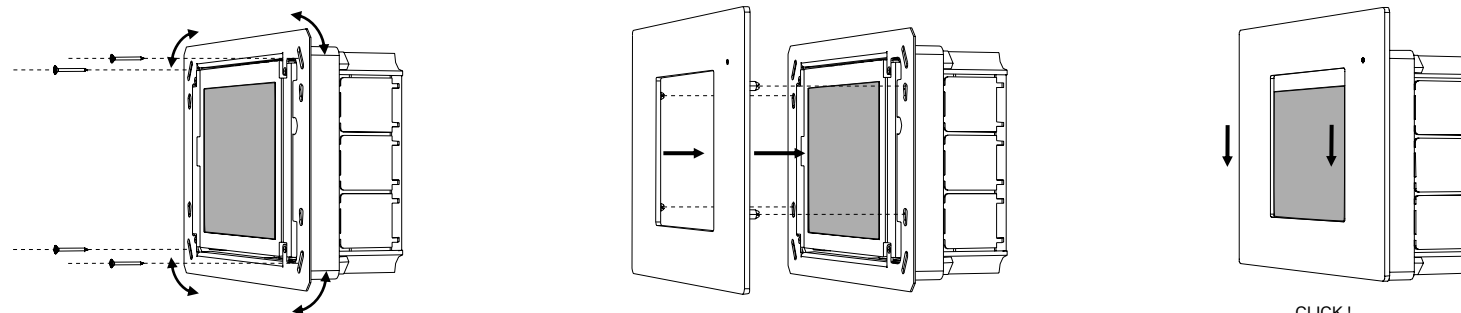
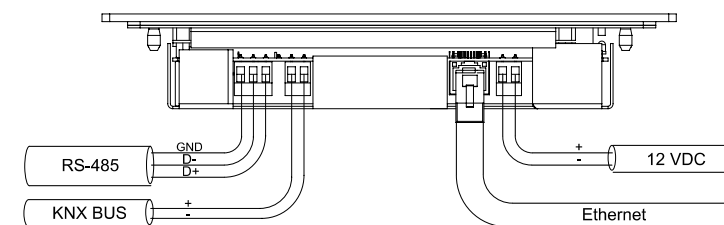
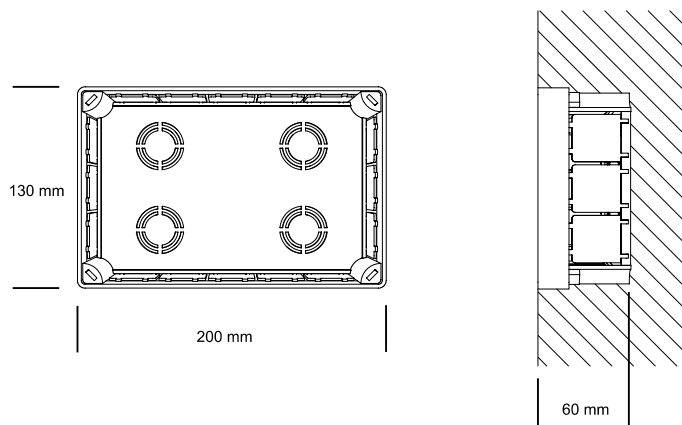
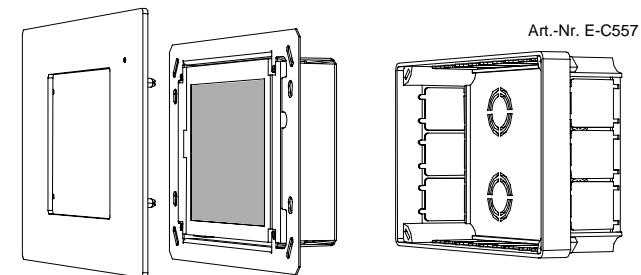
1. Select installation height to allow for direct line of sight
2. Do not expose to direct sun light
3. Please observe the instructions for mounting the front frame. Handle carefully in order to avoid damaging the touch screen surface.

FR NOTES D'INSTALLATION:

1. Sélectionnez la hauteur d'installation de façon qu'elle permette ligne de visée directe
2. Ne pas exposer directement au soleil
3. Observez les instructions pour monter le cadre enjoliveur. À manipuler avec soin de manière à ne pas endommager la surface de l'écran tactile.

DE INSTALLATIONSANMERKUNGEN:

1. Wählen Sie eine Installationshöhe, die eine direkte Blicklinie ermöglicht
2. Installieren Sie dieses Produkt nicht im direkten Sonnenlicht
3. Beachten Sie die Hinweise zur Montage des Zierrahmens. Gehen Sie hierbei vorsichtig vor, um die Oberfläche des Touch Panels nicht zu beschädigen.



CLICK !