

**DESCRIPTION**

NTC-type aerial temperature probe for Iddero touch panels HC1i-KNX, HC2-KNX, HC2L-KNX (ref. DW-TS-N1PA) and Iddero Home Server (ref. DW-TS-N1PB)

The DW-TS-N1P temperature probe allows measurement of ambient temperature of the surrounding air, for example for HVAC regulation within a room.

It is recommended to install the probe in a location away from sources of heat or cold that could introduce errors in temperature measurements.

Ordering references:

DW-TS-N1PA	DW-TS-N1P, with 2.54mm connector
DW-TS-N1PB	DW-TS-N1P, without connector

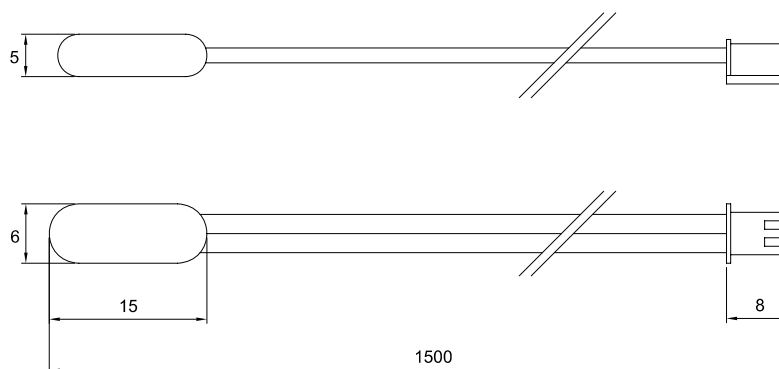


**TECHNICAL SPECIFICATIONS**

<b>Mechanical</b>	Form factor		Aerial temperature probe
	Probe / cable material		TPE (thermoplastic elastomer)
	Probe-cable protection		IP67
	Dimensions		Please see dimension diagram
	Weight		13 g
<b>Connection</b>	Cable	Type	2-wire, conductor section 0.3 mm <sup>2</sup>
		Length	1,5 m
		Max length	30 m
	Connector (DW-TS-N1PA)		Two-way female connector, 2.54 mm pitch, with retention slot
<b>Measurement</b>	Measurement range		-30..90 °C
	Accuracy		0,5 °C

Specifications subject to change without notice.

**DIMENSIONS**



All dimensions in mm.